

## auto electrical parts

### Technical Information Sheet

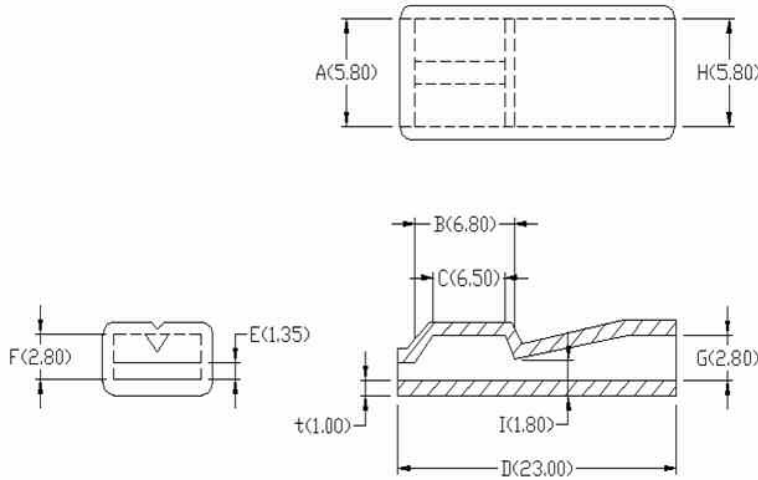
#### Part No. 0-005-19

Clear PVC Insulator for 4.80mm Terminals, Push-on

Pk50



#### Technical Drawing (not to scale)



#### Specification

Size	4.80mm
Material	PVC
Weight	47.0g per Pk
Pack Qty	50
Dimensions	(See above in mm)

The information contained in this document is correct to the best of our knowledge at the time of printing. However, specifications may change at any time without notice.